

# **NOTEBOOK COMPUTER**

**RT886EX**

**USER'S GUIDE**

Copyright © 2008 CReTE Systems Inc. All rights reserved.

No part of this publication may be processed; such as reproduced, transmitted, transcribed, stored in a retrieval system, translated into any computer language in any form, or by any means of electronic, mechanical, magnetic, optical, chemical, or others without the prior written permission of the manufacturer.

The manufacturer reserves the right to revise this publication and to make changes to the contents here of without obligation to notify any person of such revision or changes.

The manufacturer makes no representations or warranties, either expressed or implied, about the contents and specifically disclaims any warranties as to merchantability or fitness for any particular purpose. Any of the software described in this manual is sold or licensed "as is". Should the programs prove defective following purchase, the buyer (and not the manufacturer, its distributor, or its dealer) assumes the entire cost of all necessary servicing, repair and any incidental or consequential damages resulting from any software defects.

#### Trademark Acknowledgments

Windows is registered trademarks of Microsoft Corp.

Intel® Core™2 Duo processor is the registered trademark of Intel Corp.

All product and company names are trademarks or registered trademarks of their respective holders.

## **EMC and Safety Notice**

### **Federal Communications Commission Statement**

This equipment has been tested and found to comply with the limits for a class B digital device, under part 15 of the FCC Rules. These limits are designed to provide reasonable protection against harmful interference in a residential installation.

This equipment generates, uses, and radiates radio frequency energy, and if not installed and used in accordance with the instructions, may cause harmful interference to radio communications. However, there is no guarantee that interference will not occur in a particular installation. If this equipment does cause harmful interference to radio or television reception, which can be determined by turning the equipment off and on, the user is encouraged to try to correct the interference by one or more of the following measures:

- Re-orient or relocate the receiving antenna.
- Increase the separation between the equipment and receiver.
- Connect the equipment into an outlet on a circuit different from that to which the receiver is connected.
- Consult the dealer or an experienced radio/TV technician for help.

### **Regulatory Information/Disclaimers**

Installation and use of this computer must be in strict accordance with the instructions included in the user documentation provided with the product. Any changes or modifications (including the antennas) made to this device that are not expressly approved by the manufacturer may void the user's authority to operate the equipment.

The manufacturer is not responsible for any radio or television interference caused by unauthorized modification of this device, or the substitution of the connecting cables and equipment other than manufacturer specified. It is the responsibility of the user to correct any interference caused by such unauthorized modification, substitution or attachment. Manufacturer and its authorized resellers or distributors will assume no liability for any damage or violation of

government regulations arising from failing to comply with these guidelines.

### **Important Note**

FCC RF Radiation Exposure Statement:

This equipment complies with FCC RF radiation exposure limits set forth for an uncontrolled environment. This device and its antenna must not be co-located or operated with any other antenna or transmitter.

### **CE**

Products with the CE Marking comply with both the EMC Directive (89/336/EEC) and the Low Voltage Directive (73/23/EEC) issued by the Commission of the European Community.

Compliance with these directives implies conformity to the following European Norms:

- EN55022** (CISPR 22) Radio Frequency Interference
- EN55024** (EN61000-4-2, EN61000-4-3, EN61000-4-4, EN61000-4-5, EN61000-4-6, EN61000-4-8, EN61000-4-11, EN61000-3-2, EN61000-3-3) Generic Immunity Standard
- EN60950** (IEC950) Product Safety

### **R&TTE (CE) Manual Regulatory Requirement (WLAN - IEEE 802.11 a.b.g)**

802.11 a.b.g Restrictions:

European standards dictate maximum radiated transmit power of 100mW EIRP and frequency range 2.400-2.4835 GHz. In France, the equipment must be restricted to the 2.4465-2.4835 GHz frequency range and must be restricted to indoor use.

## **CE Declaration of Conformity**



Is herewith confirmed to comply with the requirements set out in the Council Directive on the approximation of the laws of the member states relating to Electromagnetic Compatibility (89/336/EEC), Low-voltage Directive (73/23/EEC) and the Amendment Directive (93/68/EEC), the procedures given in European Council Directive 99/5/EC and 89/3360EEC.

The equipment was passed. The test was performed according to the following European standards.

EN 300 328 V.1.4.1 (2003-04)

EN 301 489-1 V.1.4.1 (2002-04)/EN 301 489-17 V.1.2.1 (2002-04)

EN 50371:2002

EN 60950:2000

### **UL, TÜV**

AC Adapter (TÜV includes EN60950 LVD)

## Power Conservation

This computer consumes much less power than conventional computers. However, power consumption may be reduced by properly configuring the Power Management Setup.

It is recommended the power saving functions be enabled even when not running on battery power.

Power Management does not degrade performance while saving power.

## Environmental Information, Material Safety and Recycling

*Caution: Risk of explosion if battery is replaced by an incorrect type. Dispose of used batteries according to the instructions.*

All materials used in the construction of this equipment are recyclable or environmentally friendly.

Please recycle the packing materials, and at the end of the product's life, all other materials by local regulations.

Please refer "Material and Recycling" for the contents of the materials.

- The equipment may still contain tiny amount of hazardous substances for health and environment, though those are below control level.
- To avoid spreading such substances into the eco system, and to minimize the pressure on the natural, you are encouraged to use the appropriate take-back. Those will reuse or recycle most of the materials in a sound way after end life.
- The crossed bin symbol indicates proper disposal is required.
- For more information on collection, reuse and recycling, please consult local or regional waste administration.

- You can also contact the dealer for more information on the environmental details of the equipment.

# CONTENTS

<b>GETTING STARTED .....</b>	<b>1</b>
UNPACKING .....	1
QUICK OPERATION .....	2
CONTROLS AND INDICATORS.....	3
<b>USEFUL INFORMATION .....</b>	<b>7</b>
LOCATION .....	7
RUGGEDNESS .....	7
OPERATING SYSTEMS.....	8
AC ADAPTER .....	8
BATTERY.....	9
BOOT UP AND POST .....	11
STANDBY/HIBERNATE/RESUME .....	11
SHUTDOWN .....	12
RTC.....	12
REPLACING MODULES.....	12
<b>COMPONENTS AND FUNCTIONS.....</b>	<b>14</b>
KEYBOARD .....	14
PRINTER CABLE .....	15
HARD DISK DRIVE .....	15
DVD-ROM DRIVE.....	16
EXPRESS AND PCMCIA CARDS .....	16
DOCKUNDER (OPTIONAL) .....	17
<b>OPTIONAL DEVICES.....</b>	<b>22</b>
MEMORY CARD.....	22
2 <sup>ND</sup> BATTERY .....	22
LAN AND FAX/MODEM CARD .....	22
WIRELESS LAN CARD .....	22
DVD-RW DRIVE .....	22
2 <sup>ND</sup> HDD .....	22
TOUCH SCREEN.....	22
PCMCIA COVER .....	23
VEHICLE ADAPTER.....	23
DUAL BATTERY CHARGER .....	23



DOCKUNDER.....	23
<b>SPECIFICATIONS.....</b>	<b>24</b>
CPU.....	24
MEMORY.....	24
DISPLAY.....	24
KEYBOARD.....	25
HARD DISK DRIVE.....	25
TOUCH SCREEN.....	25
I/O PORTS.....	25
AC ADAPTER.....	26
VEHICLE ADAPTER.....	26
BATTERY.....	26
SYSTEM UNIT DIMENSIONS AND WEIGHT.....	27
MATERIALS AND RECYCLING.....	27
ENVIRONMENTAL.....	28
<b>BIOS SETUP.....</b>	<b>29</b>
MAIN MENU.....	29
IDE CHANNEL 0 MASTER SUB-MENU.....	31
IDE CHANNEL 0 SLAVE SUB-MENU.....	32
IDE CHANNEL 1 MASTER SUB-MENU.....	33
IDE CHANNEL 1 SLAVE SUB-MENU.....	34
GENERAL HELP WINDOW.....	35
ADVANCED MENU.....	36
ADVANCED MENU SELECTIONS.....	36
SIO SMC227 CONFIGURATION SUB-MENU.....	39
SECURITY MENU.....	42
RF SECURITY CONTROL SUB-MENU.....	44
TPM STATE MENU.....	45
BOOT MENU.....	46
EXIT MENU.....	47
<b>UTILITIES AND DRIVERS.....</b>	<b>48</b>
CHIPSET.....	48
VGA UTILITY.....	48
DISPLAY CAPABILITY.....	48
AUDIO DRIVER.....	49
USB 2.0.....	49
TOUCH SCREEN DRIVER.....	49
DVD-ROM DRIVER.....	50
PCMCIA DRIVER.....	50

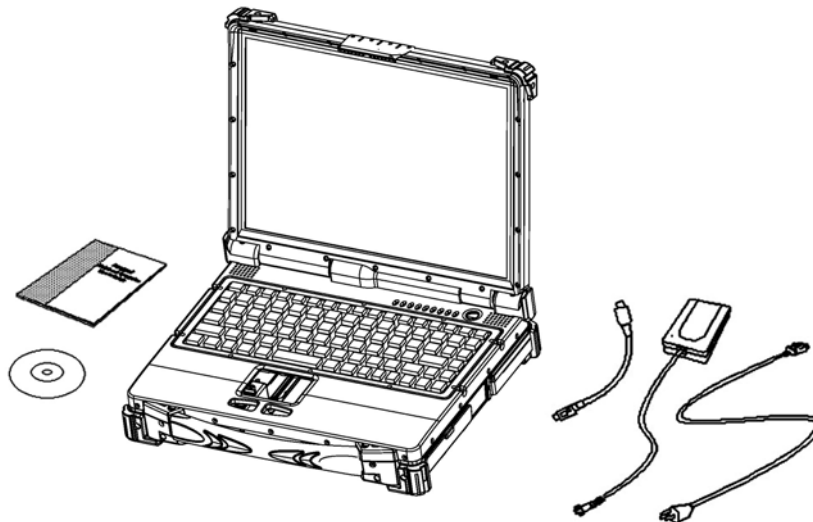
MINI PCI 1G AX92200 LAN.....	50
MINI PCI INT8100 LAN .....	50
MINI PCI-E 1G RTL8111B LAN .....	50
MINI PCI-E INTEL 3945ABG WLAN .....	50
FAX/MODEM CARD DRIVER.....	51
BLUETOOTH DRIVER .....	51
GPRS/GSM (SIEMENS MC75) DRIVER .....	51
WIRELESS MANAGER.....	51
<b>MAINTENANCE/SERVICE .....</b>	<b>52</b>
CLEANING .....	52
TROUBLESHOOTING .....	52
RMA SERVICE .....	52

## GETTING STARTED

### Unpacking

The following components come with your computer. If anything is missing or damaged, please notify the dealer immediately.

- Computer unit
- Removable drive installed on computer
- AC Adapter
- AC Power Cord
- Utility CD
- User's Guide
- External Keyboard Adapter Cable
- Printer adapter cable
- Carrying Bag



### Quick Operation

- Loosen the battery screw, remove the battery insulation sheet, and mount the battery.
  - Attach the AC adapter and charge battery for at least 10 minutes.
- Turn ON the computer by pressing the power switch momentarily.

### Notice:

- When ambient temperature is under 0°C, the system may not boot up immediately. System will beep with heater light flashing while heater working. After 10~15 minutes, the system will boot up automatically.
- Under emergency situation, to skip heating and boot up system immediately by pressing power button for >10 seconds. (But can not guarantee all devices on the computer work properly)
- Turn OFF the computer using either one of the following procedures:
  1. Press power switch to “Shut Down”, “Standby”\* or “Hibernate”\* dependent on operating system (OS) and power management settings.
  2. Press power switch for 4 seconds for a “Hard” power off. System shuts down immediately without saving any data or parameters.

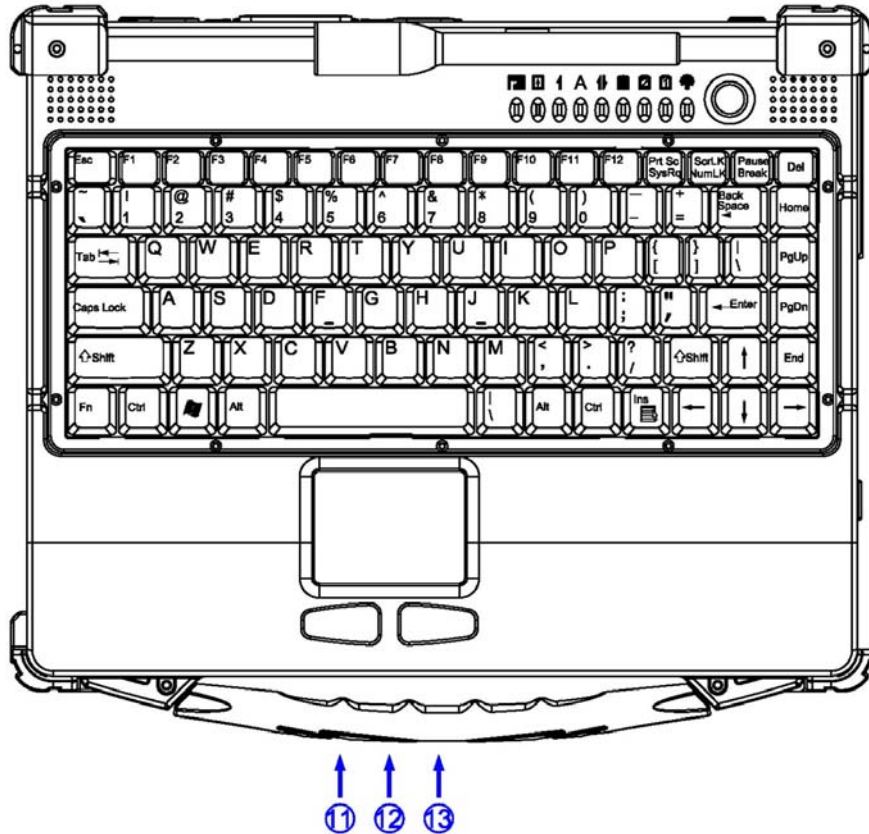
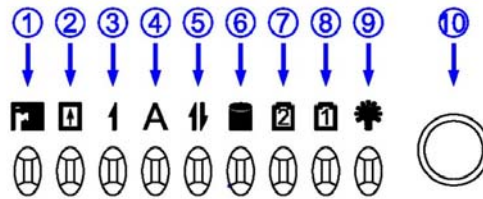
*\*: Some operating systems may not support these functions.*

3. Click **Start** → **Shut Down** in Windows to **Turn OFF**.

Driver or application software installation may be necessary for further operation.

## Controls and Indicators

### Controls and Indicators (Upper)

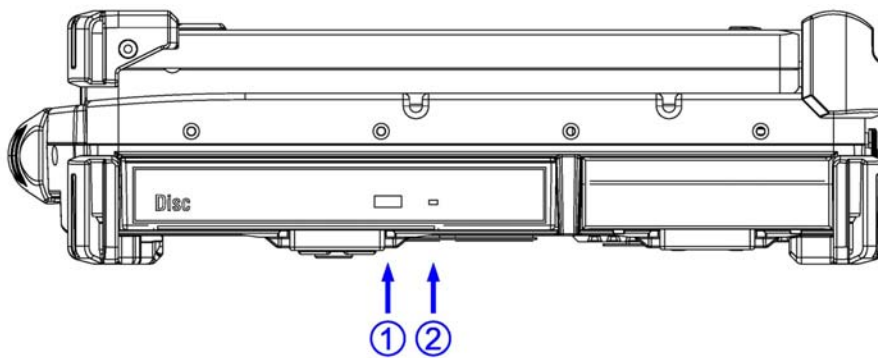


1. Heater
2. BT/WLAN/GPS
3. Keyboard Number Lock

4. Keyboard Caps Lock
5. Keyboard Scroll Lock
6. HDD in use
7. Secondary Battery Charge
8. Primary Battery Charge
9. Power indicator
10. Power switch
11. Touch pad left button
12. Touch pad
13. Touch pad right button

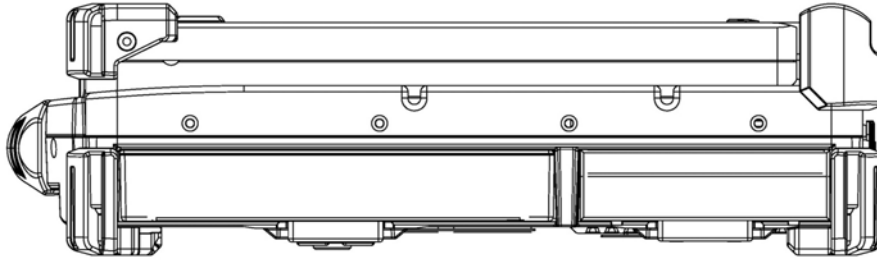
**Controls and Indicators (Right)**

**DVD-ROM Drive Configuration:**



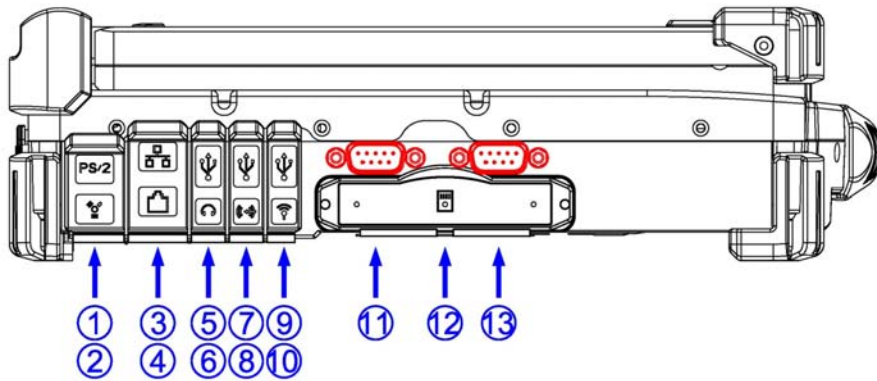
1. DVD-ROM eject button
2. DVD-ROM in use

**2<sup>nd</sup> Battery Configuration: (optional)**



No special control or indicator.

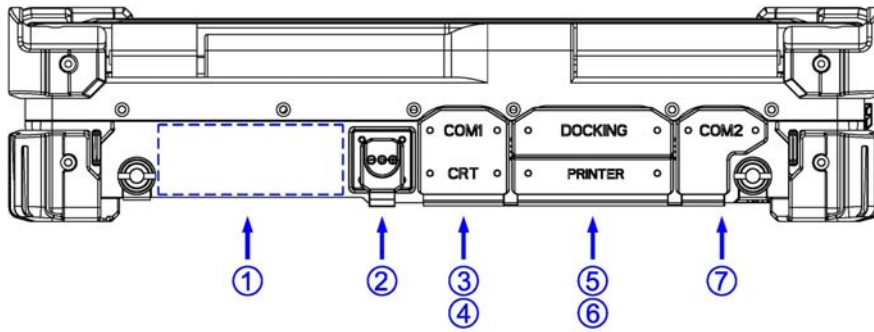
**Controls and Indicators (Left)-Standard**



1. External Keyboard + PS/2 port/Fiber LAN (Option)
2. IEEE1394 port (Fire Wire)
3. Modem Jack
4. LAN Jack
5. USB port (Universal Serial Bus)
6. External Speaker & Ear phone Jack
7. USB port (Universal Serial Bus)
8. Line In Jack

9. USB port (Universal Serial Bus)
10. Microphone Jack
11. Optional COM 3 port
12. 1x Express and 1x PCMCIA Slots (Option: 2x PCMCIA)
13. Optional COM 4 port

**Controls and Indicators (Rear)**



1. Optional Military connector port
2. DC Power Jack
3. Serial Port COM1
4. External RGB Port
5. Docking Port
6. Printer Port
7. Serial Port COM2



## USEFUL INFORMATION

### Location

A clean and moisture-free environment is preferred. Make room for air circulation. Avoid areas with:

- Sudden or extreme changes in temperature.
- Extreme heat.
- Strong electromagnetic fields (near television set, motor rotation area, etc.).
- Dust or high humidity.

If it is necessary to work in a hostile environment, please regularly maintain your computer by cleaning dust, water, etc. and keep it in optimal condition.

### Ruggedness

The computer is designed with rugged features such as vibration, shock, dust, and rain/water protection. However, it is still necessary to provide appropriate protection while operating in harsh environments.

The computer is designed to withstand rainfall from top with mild wind blowing only. Please keep the keyboard facing up, i.e. normal operating direction, to maintain water resistance. NEVER immerse the unit in water, or spray water at an upside-down system. Doing so may cause permanent damage.

The D-sub connector caps on the rear of the computer are for dust and shock protection. The connectors are sealed internally. Other I/O ports and devices on the left or right must have caps tightly closed or cable inlets sealed while exposed to water or dust.

There are optional gaskets for DB-9 and DB-25 connectors. You may install them to improve rain/dust/moisture resistance on your commercial type cable. Insert the packing into the male connector (with pins) and fasten the screws.

All connectors will be corroded if exposed to water or moisture.

Corrosion is accelerated if power is ON. Please take proper water-resistant measures for cable connections.

The DC jack and cables are sealed and may be operated with water splashing while attached. All port covers should be in place when no cable is attached.

## **Operating Systems**

The computer is compatible with most operating systems (OS). However, not all functions are 100% compatible. For example, ACPI, APM, Smart Battery, etc. are not available on DOS, Windows NT, and other non-Microsoft OS. Consequently “Standby”, “Hibernation”, “Battery Gauge”, etc. would not work under such operating systems.

*ACPI: Advanced Configurations and Power Interface*

*APM: Advanced Power Management*

*For power consumption and heat dissipative consideration, ACPI OS (Windows) is highly recommended. Set Power Options as "Portable/Laptop" in Control Panel to fully implement the power management features.*

## **AC Adapter**

The AC adapter performs two functions:

- It powers the computer from an external AC source.
- It charges the computer battery.

The adapter automatically detects the AC line voltage (110V or 220V) and adjusts accordingly.

The following are recommended when using the AC adapter:

- Use a properly grounded AC outlet.
- Use one AC outlet exclusively for the computer. Having other appliances on the same line may cause interference.
- Use a power strip with built-in surge protection.

Connect the AC adapter:

1. Plug the AC cord to the adapter.
2. Plug the other end of the AC cord into the wall outlet. Make sure the green LED on the adapter turns on.
3. Attach the DC plug into the power jack of the computer; turn the lock ring clockwise to secure it.

### **AC Adapter Indicator**

The green LED indicates that AC power is ready.

### **Battery**

The computer will automatically switch to battery when the external power source (AC adapter or optional vehicle adapter) is disconnected.

### **Battery Power Saving Tips**

The computer comes with an intelligent power-saving feature. You may extend the battery life by:

- Setup power saving functions in Operating System Power Management options (e.g. Windows Power Options).
- Lower the intensity of the display by brightness control.
- Use standby option when computer is temporarily not in use.
- Shut down the computer when it will not be in use for long periods of time.

### **Battery Low**

When the battery is nearly exhausted, the computer gives the following “Battery Low” warnings:

- Windows battery low warning (when operating system is Windows)

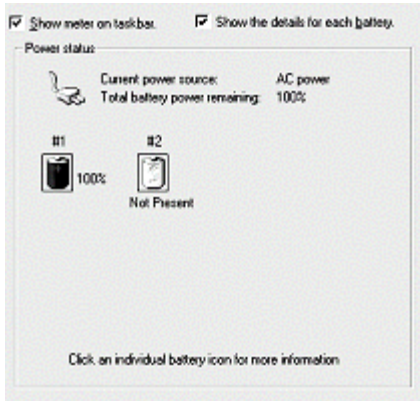
- The power LED flashes.

Once the Battery Low warning occurs, please:

1. Save and close the files you are currently working on.
2. Plug in the AC adapter to recharge the battery.

### **Battery Gauge**

You may check battery status from battery gauge in Windows. Click the power/battery icon to reveal the battery gauge window.



***Note:** Battery characteristic varies depending on factors such as ambient temperature, charging method, load current, aging, etc. For example, the chemicals of the battery are more inactive at low temperature, thus decreases the output power.*

*The battery gauge should only be used as a reference. Please do not expect it to show the exact amount of the power remaining. There is no memory effect on Lithium Ion battery cells. However, discharge the battery to nearly empty every month will help calibrating the internal gauge.*

### **Charging the Battery**

Plug in the AC adapter (or optional vehicle adapter) to start

the battery charging. If the battery is already full, the sense circuitry will stop high current charge within several minutes.

There are two LED indicators next to the power indicator for the Primary and Secondary battery respectively. Indicator turns ON when the battery is charging and turns OFF when the battery charge is completed.

To charge the Secondary Battery, simply install it into the computer and attach the AC adapter. The internal charger will charge the Primary and Secondary batteries simultaneously.

Optional Dual Battery Charger can charge Primary and Secondary batteries externally.

### **Boot Up and POST**

The computer turns ON and loads the operating system (such as Windows) into the system memory. This start-up procedure is called “boot up”.

### **The ROM BIOS Power On Self-Test (POST)**

Each time the computer powers on, it automatically performs a self-test of its memory and hardware devices.

### **Standby/Hibernate/Resume**

The system can enter standby or hibernate mode by either pressing the power switch or staying idle till timeout.

***Note:** Standby/Hibernate/Resume works with both AC adapter and battery. The power management functions may not work under Windows NT or non-Windows operating systems.*

## Shutdown

The following procedure is recommended in shutting down the computer:

1. Save any work you want to keep.
2. Make sure none of the disk drives are active (HDD and DVD-ROM drive).
3. Remove any diskettes, DVD-ROMs, or other media if necessary.
4. Follow the shut down procedure of your operating system.
5. Let the computer shut down or push the power switch to turn OFF.

Failure to shut down the computer properly may result in loss of data or hardware damages.

Automatic shut down is activated at battery exhaust. Be sure to finish your work and save all your data when the battery low warning appears.

## RTC

Battery backed up RTC (Real Time Clock/Calendar) is built in an on-board CMOS (Complementary Metal Oxide Semiconductor) chip. The RTC keeps track of the time and date while the computer is off. The CMOS chip also stores system setup information.

RTC battery is also recharged when AC adapter is attached. Recharge the computer approximately once per month to ensure RTC operation.

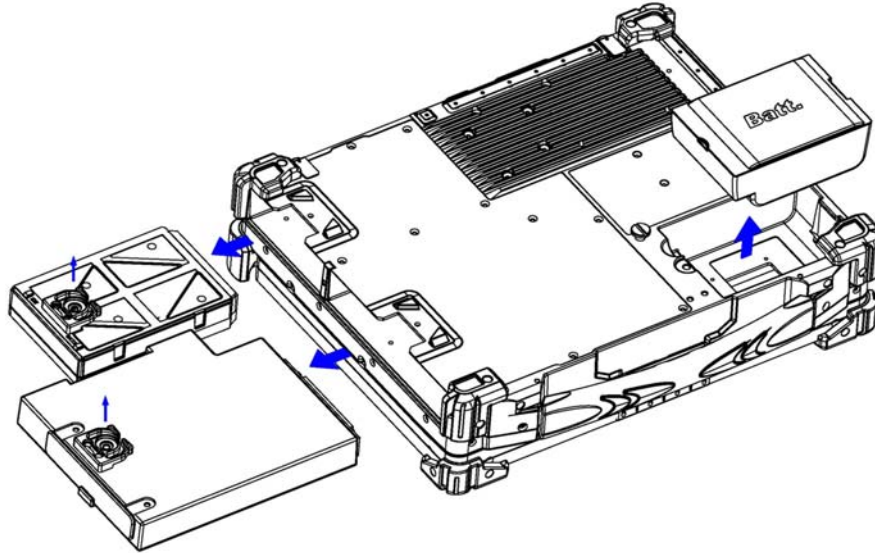
## Replacing Modules

**Caution:** *You must turn the power OFF before replacing the DVD-ROM and HDD modules.*

To remove the modules:

1. Turn OFF the computer or hibernate.
2. Disconnect all cables from the computer.

3. Use a coin to turn and loose the screws on the modules.
4. Remove the battery from the compartment.
5. Push the latch knob to release the DVD-ROM or HDD module and push them outward.
6. Remove the module from the computer.



To re-install the modules:

Gently push the module into the slot. Fasten the screw to fix the module.

## COMPONENTS AND FUNCTIONS

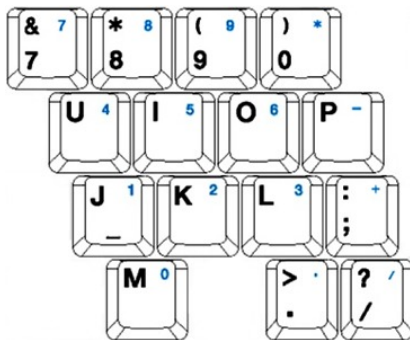
### Keyboard

The keyboard is functionally equivalent to a full size desktop keyboard. A sample key layout is shown below.



### The Numeric Keypad

The numeric keypad functions like an electronic calculator. It is embedded in the main keyboard, with the numeric figures printed on the upper right of their respective keys. The keypad has keys for the digits 0~9, the decimal point ( . ), addition ( + ), subtraction ( - ), multiplication ( \* ), and division ( / ).



To activate the keypad, press the Num Lock key. In figure, there are 15 keys which switching from alphabetic to numeric. Press Num Lock again to return to alphabetic.

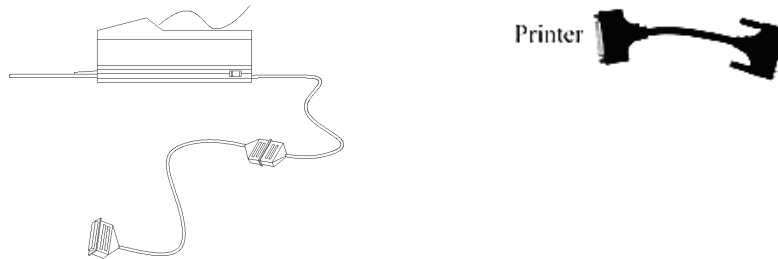


### Keyboard Backlight (optional)

Press [Fn] [F5] key for approximately 1 second turns keyboard backlight ON or OFF.

### Printer Cable

For most printers there is no special requirement in connection. However, some printer cables do not contain all 25 wires. To avoid malfunction, the printer adapter cable comes with your computer should be attached to the printer cable. The purpose is to re-connect all the ground pins. Devices equivalent to printer such as scanner, Lap link cable, etc. also need this cable.



### Hard Disk Drive

The Hard Disk Drive (HDD) is a 2.5" type standard SATA interface data storage device.

HDD and DVD-ROM drives are removable. This provides convenience and security. They can ONLY be removed while the power is OFF.

***Note:** NEVER drop your HDD, DVD-ROM module or expose them to high temperature, high humidity, or any hazardous environment. NEVER try to disassemble the module. Static discharge may destroy your device and data. Always pick up the modules by touching the case only.*

### **DVD-ROM Drive**

The DVD-ROM drive is a standard IDE ATAPI type, which accepts a variety of standard 12cm CDs such as CD-ROM, audio CD, CD-I, Photo CD, video CD, etc.

The following procedure assumes that all the necessary DVD-ROM utilities were installed on the computer. For DVD-ROM utility installation, please refer “**Utilities and Drivers**”.

DVD-ROM drive also can be removed and swapped with 2<sup>nd</sup> battery.

### **Put CD into DVD-ROM drive**

While the power is ON, push the DVD-ROM drive’s ejecting button. The tray will release. Then gently pull the tray out. Put the CD on the holder and push the tray back into the cabinet. Any dirt on the data side of the CD may cause read error. Please do not touch this side when handling CDs.

### **Read from DVD-ROM drive**

The DVD-ROM drive may be designated as drive D: or higher depending on your configuration. You may access it in DOS or Windows the same way you would for the floppy disk drive or hard disk drive. The DVD-ROM is a read-only device. Any command attempting to write onto it will be denied.

Please avoid shock or vibration while the DVD-ROM drive is active.

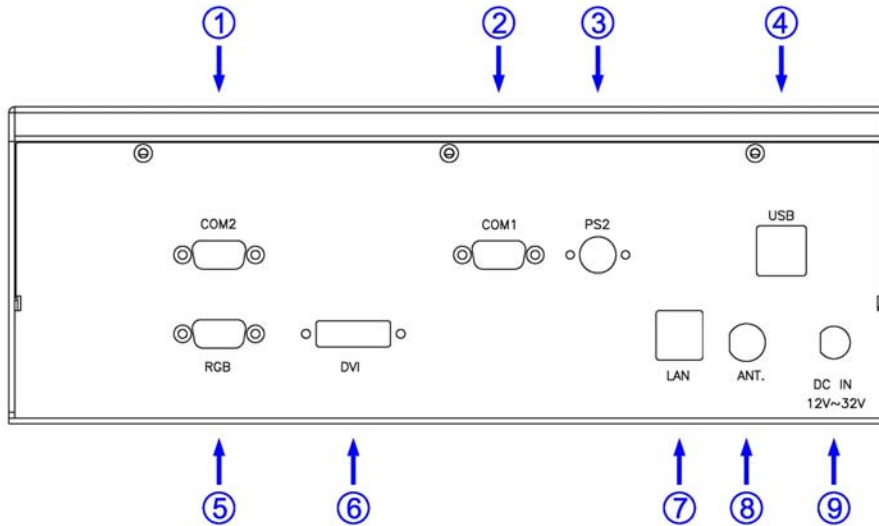
### **Express and PCMCIA Cards**

The computer supports one type-II PCMCIA and one Express card or two type-II PCMCIA cards. To remove the card, push the button on the right of the card to eject it. The eject button can hide into the compartment by pushing it inward gently.

**DockUnder (optional)**

DockUnder is utilized for system unit docking. AC adapter or vehicle adapter attaches directly to DockUnder and automatically charges the computer while docked.

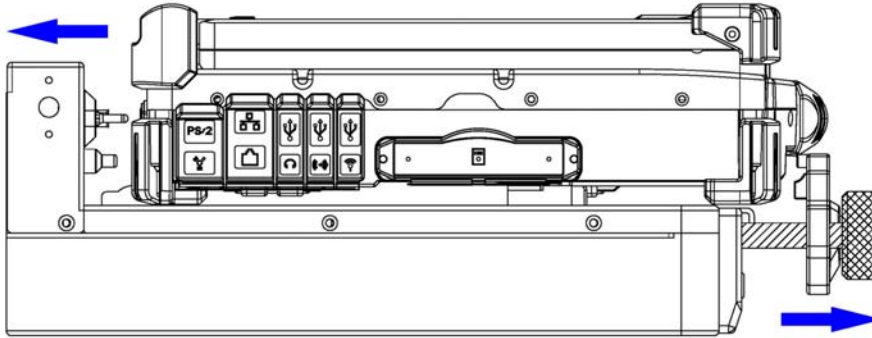
**Ports (horizontal version, ports on rear)**



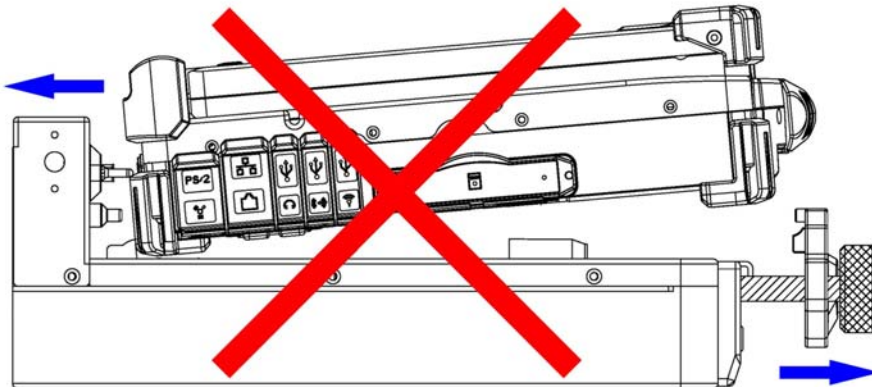
1. COM2
2. COM1
3. PS/2
4. USB #1 & #2
5. RGB
6. DVI
7. LAN (Sealed/No function)
8. ANT. (Reserved)
9. DC jack

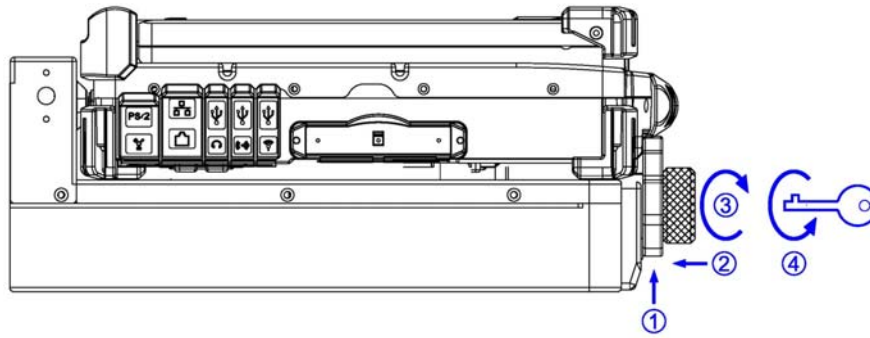
**Mount the DockUnder:**

1. Turn OFF the power.
2. Open the rubber cap of the docking connector.
3. Align the docking connector.
4. Push the computer to join the guiding pins. Do not lift the computer up while docking.
5. Metal bar is drawn outward.



*Note: Do not lift up the computer while engaging.*

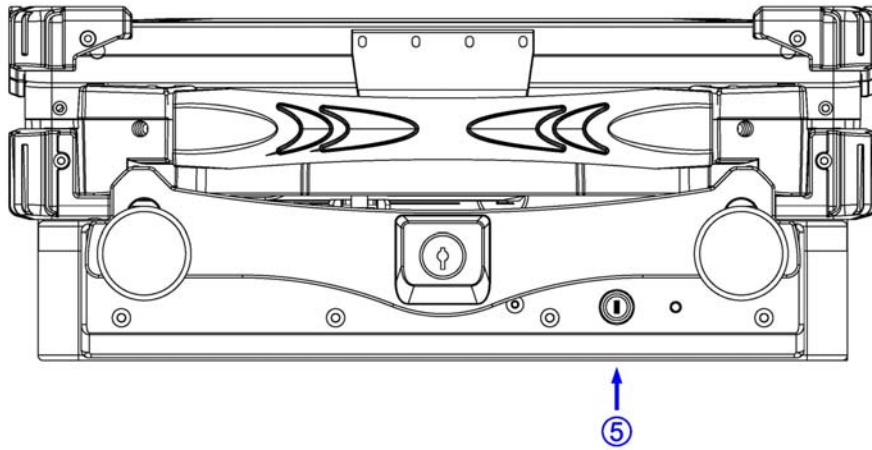




1. Pull up the metal bar.
2. Move forward inside.
3. Lock along the direction of the clock.
4. Key Locked with Electric Power ON/OFF.

While turn on the power of DockUnder with the Key that can use all the functions on DockUnder. Meantime Computer will also have the power.

There are 1\*PCI+1\*PCIe slots on the DockUnder. Maximum card dimensions are 260mm (L: length, including L-bracket thickness) x 115mm (W: width, including gold fingers) x 25 mm (H: height). The total power rating of 2 PCI slots is +5V 3A, +3.3V 3A, +12V 300mA, and -12V 300mA.



### 5. Power On/Off with Computer.

The Power On/Off can be replaced for Computer itself.

To install expansion card in DockUnder:

1. Unplug the AC adapter.
2. Release and remove the computer.
3. Remove the screws on the upper and lower covers.
4. Open the upper cover.
5. Install the expansion card into the slot and fix the L-bracket.
6. Assemble the upper cover.
7. Attach the computer and perform functions test.

***Note:** Please check IRQ conflict before installing cards and drivers.*

*Never dock or un-dock the computer while power is ON.*

## Components and Functions

---

IRQ	DMA
0. Timer output 0	0 Sound
1. KB	1 Sound
2. 8 RTC	2 FDD
9 ACPI (or Free) ECP/EPP)	3 Reserved (or
10 Free (16-bit PCMCIA, or COM3*)	
11 PCI devices or Card Bus 0/1 (Sound, LAN*, 32-bit PCMCIA, etc.)	
12 Touch pad (PS/2 mouse)	
13 Co-processor	
14 HDD	
15 DVD-ROM drive	
3. COM2 (or Fax/Modem*, IrDA)	
4. COM1 (or Touch screen)	
5. Free (COM4*)	
6. FDD	
7. Parallel port 1	

\*: Optional devices.

## OPTIONAL DEVICES

### **Memory Card**

The memory card will expand your memory to facilitate better system performance. The cards are available as following:

1 GB, 2 GB

### **2<sup>nd</sup> Battery**

A Lithium Ion rechargeable 2<sup>nd</sup> battery may install into the DVD-ROM compartment. It has the same capacity of primary battery and smart battery compliance.

The computer's internal charger can detect 2<sup>nd</sup> battery and perform charging accordingly.

### **LAN and Fax/Modem Card**

10/100/1000 M Base-T Ethernet LAN card for a wired network and V.90 56K Fax/Modem.

### **Wireless LAN Card**

IEEE 802.11 a.b.g wireless LAN card and rugged antenna.

### **DVD-RW Drive**

Swappable with DVD-ROM drive for DVD playback and writing CD-R. Backward compatible with DVD-ROM, VCD, etc.

### **2<sup>nd</sup> HDD**

Swappable with DVD-ROM drive. Set as IDE primary slave drive.

### **Touch Screen**

Resistive touch screens for direct finger touch or pen input instead of mouse or touch pad.



### **PCMCIA Cover**

Besides the attached PCMCIA rubber cover, there is an optional cover with a metal frame that can be fixed using screws. The cover provides protection from dust or water for cabled PCMCIA cards. Users may seal the cable outlet after installation.

### **Vehicle Adapter**

Converts power from car lighters or truck batteries to DC +19V, the same output ratings as AC adapters. It can power the system and charge the batteries simultaneously.

*Caution: Remove or disconnect the adapter when leaving the vehicle to avoid battery exhaustion.*

### **Dual Battery Charger**

This charger provides two slots for the Primary and Secondary battery respectively. It accepts power from AC adapter or vehicle adapter and charges both batteries simultaneously. It takes approximately 6 hours to fully charge both batteries.

### **DockUnder**

DockUnder RT8-H: (no hot docking)

Serial ports x 2, USB 2.0 x 2, PCI slots x 1, PCIe slot x 1, PS/2, RGB, DVI.

Ports are on the rear. (LAN option)

Hot docking: Docking while computer power is ON.

## SPECIFICATIONS

### CPU

Intel Core2 Duo (Merom)

CPU runs at multiple speeds dependent on CPU type and operating system:

The CPU speed switches automatically by detecting AC adapter/ battery operation and busy state.

### Memory

<b>System memory</b>	Standard: 1GB Expandable: 4GB (2GBx 2)
<b>Cache memory</b>	Internal Level-2 2MB
<b>Video memory</b>	224MB (shared RAM)

**Notes:**

- For standard embedded VGA version, the usage is approximately 3.2GB only when installed 4GB RAM.
- For optional MXM VGA version, maximum installation is 3.0GB.

*That is because BIOS reserved address space from 3.2GB to 4.0GB as buffers for PCI devices.*

### Display

The display is a XGA compatible LCD (Liquid Crystal Display) of 1024 x 768 dots (horizontal x vertical) or SVGA 800 x 600 dots with 16, 24 or 32 bit color depth. The computer is capable of displaying 2048 x 1536 dots on the LCD external monitor.

### LCD:

Type: 13.3" Active TFT Color

Resolution:	1024 x 768 pixels (13.3")
Mode:	VGA, EGA, MGA, SVGA, and XGA
Color:	16, 24 or 32-bit color depths on all modes
Characters x Row:	80 x 25

### **Keyboard**

Number of keys:	87
Key travel:	2.5 mm (standard) 1.5 mm (optional backlight)
Function:	Emulates standard 101/102-key keyboard

### **Hard Disk Drive**

Type:	2.5"
Interface:	Serial ATA

### **Touch Screen**

Type:	Resistive
Interface:	Serial
Resolution:	>1024x1024

### **I/O ports**

- 2x Serial ports
- External RGB monitor port
- External PS/2+Keyboard port
- Audio ports (External Speaker/Earphone, Microphone, Line-in)
- RJ11 Phone jack for internal Fax/Modem (optional)
- RJ45 jack for internal LAN card (optional)
- 1x Express and 1x PCMCIA Slots (Option: 2x PCMCIA)
- Printer port
- Docking port

- 3xUSB 2.0 port
- 1x1394 port
- 2x optional serial port
- 1x optional military connector port

### **AC Adapter**

Voltage:	AC 90~240 V
Frequency:	50/60 Hz
Output Voltage:	DC 19V
Maximum Power:	90 Watts
Dimension:	130mm (W) x 60mm (D) x 34mm (H)
Weight:	430 g (0.9 lb.)

### **Vehicle Adapter**

Input Voltage	12V/24V (12~32V) Auto-sense
Input Current	2.5A/5.5A max. (12V/24V respectively)
Output Voltage	19V +/-5%
Output Current	4A
Wiring	Cigarette lighter/Truck battery
Application	Car or Truck installation

### **Battery**

#### **Primary Battery:**

Type:	9 x 18650 cells Lithium Ion
Capacity:	11.1V 7200mAH
Dimension:	103 mm (W) x 73 mm (D) x 38 mm (H)
Weight:	435 g (0.95 lb.)

#### **2<sup>nd</sup> Battery (optional):**

Type:	9 x 18650 cells Lithium Ion
-------	-----------------------------

Capacity:	11.1V 7200mAH
Dimension:	150 mm(W) x 90 mm(D) x 20 mm(H)
Weight:	560 g (1.2 lb.)

### System Unit Dimensions and Weight

Width:	312mm (12.3")
Depth:	246mm (9.7")
Height:	66.7mm (2.6")
Weight:	4.3Kg (9.5 lb. including DVD-ROM drive and primary battery)

*Note: Weight varies depending on system configurations.*

### Materials and Recycling

Materials of the computer are as follows:

Cabinet:	Magnesium alloy AZ91D, UL grade PC+ABS GE C6200 or TN-3813BW
Bracket:	Aluminum 5052, steel with nickel plating, or stainless steel S304
Cushion pad:	Rubber
PCB:	FR-4, UL 94V0
Battery:	Rechargeable Lithium Ion, 9 cells per pack
Packing:	Carton: Unbleached paper Cushion: Recyclable EPE Carrying bag: Recyclable PE fiber
User's Guide:	Recycled/recyclable paper

Please recycle the parts according to local regulations.

**Environmental**

Temperature: -20 ~ 50°C (32 ~ 122°F) operating  
-40 ~ 70°C (-40 ~ 158°F) storage

Humidity: 5~95% Non-condensing operating  
95% maximum storage

Altitude: 0 ~ 4,572 meters (0 ~ 15,000 feet) operating

## BIOS SETUP

Press **[F2]** at boot up to enter BIOS setup. Use arrow keys to select options and **[+/-]** to modify them. When finished, move to **"Exit"** and press **[Enter]** then confirm save by pressing **[Y]**.

### Main Menu

Phoenix TrustedCore (tm) Setup Utility					
Main	Advanced	Security	TPM State	Boot	Exit
					Item Specific Help
System Time:		[16:19:20]		<Tab>, <Shift-Tab>, or <Enter> selects field.	
System Date:		[03/02/2007]			
Legacy Diskette A:		[1.44/1.25MB 3½"]			
<ul style="list-style-type: none"> <li>• IDE Channel 0 Master [None]</li> <li>• IDE Channel 0 Slave [None]</li> <li>• IDE Channel 1 Master [None]</li> <li>• IDE Channel 1 Slave [None]</li> </ul>					
System Memory:		640 KB			
Extended Memory:		1038336 KB			
F1 Help	↑↓ Select Item	-/+ Change Values	F9 Setup Defaults		
Esc Exit	↔ Menu	Enter Select	▶ Sub-Menu	F10 Save and Exit	

*Note: The contents may vary depending on computer configurations.*

### Main Menu Selections

You can make the following selections on the Main Menu. Use the sub-menus for other selections.

Feature	Options	Description
System Time	HH:MM:SS	Set the system time Hour, Minute, Second.
System Date	MM/DD/YYYY	Set the system date Month, Day, Year.

<b>Feature</b>	<b>Options</b>	<b>Description</b>
Legacy Diskette A	Disabled 360 Kb      5¼" 1.2 MB      5¼" 720 Kb      3½" 1.44/1.25 MB    3½" 2.88 MB      3½"	Select floppy type. Note that 1.25 MB 3½" references a 1024 byte/sector Japanese media format. The 1.25MB, 3½" diskette requires a 3-Mode floppy-disk drive.



**IDE Channel 0 Master Sub-Menu**

Phoenix TrustedCore (tm) Setup Utility		
Main		
IDE Channel 0 Master	[None]	Item Specific Help
<b>Type:</b> LBA Format Total Sectors: 78140160 Maximum Capacity: 40008MB SATA1 Multi-Sector Transfers: [Disabled] LBA Mode Control: [Disabled] 32 Bit I/O: [Disabled] Transfer Mode: [Standard] Ultra DMA Mode: [Disabled]		User = you enter parameters of hard-disk drive installed at this connection. Auto = autotypes hard-disk drive installed here. CD-ROM = a CD-ROM drive is installed here. ATAPI Removable = removable disk drive is installed here.
F1 Help	↑↓ Select Item	-/+ Change Values
Esc Exit	↔ Menu	Enter Select ► Sub-Menu
		F9 Setup Defaults
		F10 Save and Exit

**IDE Channel 0 Master Sub-Menu Selections**

You can make the following selections on the IDE Channel 0 Master Sub-Menu.

Feature	Options	Description
Type	User Auto CD-ROM ATAPI Removable	User = you enter parameters of hard-disk drive installed at this connection. Auto = autotypes hard disk drive installed here. CD-ROM = a CD-ROM drive is installed here. ATAPI Removable = removable disk drive is installed here.
32 Bit I/O	Disabled Enabled	This setting enables or disables 32 bit IDE data transfers.

**IDE Channel 0 Slave Sub-Menu**

Phoenix TrustedCore (tm) Setup Utility		
Main		
IDE Channel 0 Slave	[None]	Item Specific Help
<b>Type:</b>	[Auto]	User = you enter parameters of hard-disk drive installed at this connection. Auto = autotypes hard-disk drive installed here. CD-ROM = a CD-ROM drive is installed here. ATAPI Removable = removable disk drive is installed here.
Multi-Sector Transfers:	[Disabled]	
LBA Mode Control:	[Disabled]	
32 Bit I/O:	[Disabled]	
Transfer Mode:	[Standard]	
Ultra DMA Mode:	[Disabled]	
SMART Monitoring:	Disabled	
F1 Help	↑↓ Select Item	-/+ Change Values
Esc Exit	↔ Menu	Enter Select ► Sub-Menu
		F9 Setup Defaults
		F10 Save and Exit

**IDE Channel 0 Slave Sub-Menu Selections**

You can make the following selections on the IDE Channel 0 Slave Sub-Menu.

Feature	Options	Description
Type	User Auto CD-ROM ATAPI Removable	User = you enter parameters of hard-disk drive installed at this connection. Auto = autotypes hard disk drive installed here. CD-ROM = a CD-ROM drive is installed here. ATAPI Removable = removable disk drive is installed here.
32 Bit I/O	Disabled Enabled	This setting enables or disables 32 bit IDE data transfers.

**IDE Channel 1 Master Sub-Menu**

Phoenix TrustedCore (tm) Setup Utility		
Main		
IDE Channel 1 Master	[None]	Item Specific Help
<b>Type:</b>	[Auto]	User = you enter parameters of hard-disk drive installed at this connection. Auto = autotypes hard-disk drive installed here. CD-ROM = a CD-ROM drive is installed here. ATAPI Removable = removable disk drive is installed here.
Multi-Sector Transfers:	[Disabled]	
LBA Mode Control:	[Disabled]	
32 Bit I/O:	[Disabled]	
Transfer Mode:	[Standard]	
Ultra DMA Mode:	[Disabled]	
F1 Help	↑↓ Select Item	-/+ Change Values
Esc Exit	↔ Menu	Enter Select ► Sub-Menu
		F9 Setup Defaults
		F10 Save and Exit

**IDE Channel 1 Master Sub-Menu Selections**

You can make the following selections on the IDE Channel 1 Master sub-menu.

Feature	Options	Description
Type	User Auto CD-ROM ATAPI Removable	User = you enter parameters of hard-disk drive installed at this connection. Auto = autotypes hard disk drive installed here. CD-ROM = a CD-ROM drive is installed here. ATAPI Removable = removable disk drive is installed here.
32 Bit I/O	Disabled Enabled	This setting enables or disables 32 bit IDE data transfers.

**IDE Channel 1 Slave Sub-Menu**

Phoenix TrustedCore (tm) Setup Utility		
Main		
IDE Channel 1 Slave	[None]	Item Specific Help
<b>Type:</b>	[Auto]	User = you enter parameters of hard-disk drive installed at this connection. Auto = autotypes hard-disk drive installed here. CD-ROM = a CD-ROM drive is installed here. ATAPI Removable = removable disk drive is installed here.
Multi-Sector Transfers:	[Disabled]	
LBA Mode Control:	[Disabled]	
32 Bit I/O:	[Disabled]	
Transfer Mode:	[Standard]	
Ultra DMA Mode:	[Disabled]	
F1 Help	↑↓ Select Item	-/+ Change Values
Esc Exit	↔ Menu	Enter Select ► Sub-Menu
		F9 Setup Defaults
		F10 Save and Exit

**IDE Channel 1 Slave Sub-Menu Selections**

You can make the following selections on the IDE Channel 1 Slave sub-menu.

Feature	Options	Description
Type	User Auto CD-ROM ATAPI Removable	User = you enter parameters of hard-disk drive installed at this connection. Auto = autotypes hard disk drive installed here. CD-ROM = a CD-ROM drive is installed here. ATAPI Removable = removable disk drive is installed here.
32 Bit I/O	Disabled Enabled	This setting enables or disables 32 bit IDE data transfers.

### **General Help Window**

Pressing <**F1**> or <**Alt-H**> on any menu brings up the General Help window that describes in detail the keys and functions for setup.

The scroll bar on the right of any window indicates that there is more than one page of information in the window. Use <**PgUp**> and <**PgDn**> to display all the pages. Pressing <**Home**> and <**End**> displays the first and last page. Pressing <**Enter**> displays each page and then exits the window. Press <**Esc**> to exit the current window.

## Advanced Menu

Phoenix TrustedCore (tm) Setup Utility					
Main	Advanced	Security	TPM State	Boot	Exit
<b>Legacy USB Support:</b> [Enabled] Summary screen: [Disabled] Boot-time Diagnostic Screen: [Enabled] QuickBoot Mode: [Enabled] Extended Memory Testing [Just zero it] IGD - Boot Type: [VBIOS Default] PS/2 Mouse [Auto Detect] PCI Express - Root Port 1: [Enabled] USB - Device 29, Function 7: [Enabled] Passive Cooling Trip Point [Disabled] • SIO SMC227 CONFIGURATION				Item Specific Help Enable support for Legacy Universal Serial Bus	
F1	Help	↑↓ Select Item	-/+ Change Values	F9	Setup Defaults
Esc	Exit	↔ Menu	Enter Select ▶ Sub-Menu	F10	Save and Exit

**Warning:** Incorrect settings may cause system malfunction. To correct it, restore the Setup Defaults with <F9>.

### Advanced Menu Selections

You can make the following selections on the Advanced Menu.

Feature	Options	Description
Legacy USB Support	Disabled Enable	Enable support for Legacy Universal Serial Bus
Summary screen	Disabled Enable	Display system configuration on boot
Boot-time Diagnostic Screen	Disabled Enable	Display the diagnostic screen during boot
QuickBoot Mode	Disabled Enable	Allows the system to skip certain tests while booting. This will decrease the time needed to boot the system.
Extended Memory Testing	Normal Just zero it None	Determines which type of tests will be performed on extended memory (above 1M).

Feature	Options	Description
IGD - Boot Type	VBIOS Default CRT LFP CRT+LFP TV LFP-SDVO EFP TV-SDVO CRT+LFP-SDVO CRT+EFP	Select the Video Device that will be activated during POST
PS/2 Mouse	Disabled Enable Auto Detect	'Disabled' prevents any installed PS/2 mouse from functioning, but frees up IRQ 12. 'Enabled' forces the PS/2 mouse port to be enabled regardless if a mouse is present. 'Auto Detect' will enable the PS/2 mouse only if present. 'OS Controlled' only displayed if the OS controls the mouse.
PCI Express - Root Port 1	Disabled Enable Auto	Control the PCI Express Port via this setup option.  Disabled - Port always disabled. Enabled - Port always enabled. Auto - Only enable if card found.  Note that if Root Port 1 is disabled, Root Ports 2-4 will be disabled as well.
USB - Device 29, Function 7	Disabled Enable	Control USB 2.0 functionality through this Setup Item
Passive Cooling Trip Point	Disabled 15 C/23 C/31 C/39 C/ 47 C/55 C/63 C/71 C/ 79 C/87 C/95 C/103 C/ 109 C/111C	This value controls the temperature of the ACPI Passive Trip Point – the point in which the OS will begin throttling the CPU.  Note: When the DTS is enabled, only values below 97C are valid.

<b>Feature</b>	<b>Options</b>	<b>Description</b>
SIO SMC227 CONFIGURATION		These items control the configuration of various National 393 SIO devices.



For most frequently altered setup “SIO SMC227 Configuration”, please refer following:

**Warning:** Make sure internal COMx mode settings must be with the same type of the external connected devices. Otherwise it may cause serial components damage in either side.

**SIO SMC227 Configuration Sub-Menu**

Phoenix TrustedCore (tm) Setup Utility		
Advanced		
SIO SMC227 CONFIGURATION	Item Specific Help	
<b>COM1 port:</b> [3F8-IRQ 4] COM1 mode: [RS232] <b>COM2 port:</b> [2F8-IRQ 3] COM2 mode: [RS232] <b>COM3 port:</b> [3E8-IRQ 10] COM3 mode: [RS232] <b>COM4 port:</b> [2E8-IRQ 5] COM4 mode: [RS232] <b>Printer1:</b> [378-IRQ 7] Printer1 mode: [Standatd] <b>Printer2:</b> [378-IRQ 7]	Configure COM1 using device options:  [Disabled] No configuration  [3F8-IRQ 4] Set the base I/O address for COM1	
F1 Help    ↑↓ Select Item    -/+ Change Values    F9 Setup Defaults Esc Exit    ↔ Menu    Enter Select ► Sub-Menu    F10 Save and Exit		

**SIO SMC227 Configuration Sub-Menu Selections**

You can make the following selections on the SIO SMC227 Configuration sub-menu.

Feature	Options	Description
COM1 port	Disabled 3F8-IRQ 4	Configure COM1 using device options:  [Disabled] No configuration  [3F8-IRQ 4] Set the base I/O address for COM1

Feature	Options	Description
COM1 mode	RS232 TTL1	Configure UART mode options: [RS332] : External Device [TTL1] : Internal Device
COM2 port	Disabled 2F8-IRQ 3	Configure COM2 using device options:  [Disabled] No configuration  [2F8-IRQ 3] Set the base I/O address for COM2
COM2 mode	RS232 TTL2	Configure UART mode options: [RS232] : External Device [TTL2] : Internal Device
COM3 port	Disabled 3E8-IRQ 10	Configure COM3 using device options:  [Disabled] No configuration  [3E8-IRQ 10] Set the base I/O address for COM3
COM3 mode	RS232 TTL3	Configure UART mode options: [RS232] : External Device [TTL3] : Internal Device
COM4 port	Disabled 2E8-IRQ 5	Configure COM4 using device options:  [Disabled] No configuration  [2E8-IRQ 5] Set the base I/O address for COM4
COM4 mode	RS232 TTL4	Configure UART mode options: [RS232] : External Device [TTL4] : Internal Device

<b>Feature</b>	<b>Options</b>	<b>Description</b>
Printer1	Disabled 378-IRQ 4	Configure Printer1 device options: [Disabled] No configuration [378-IRQ 7] Set the base I/O address for Printer1
Printer1 mode	Standard ECP EPP	Configure Printer1 mode options: Standard EPP ECP
Printer2	Disabled 3BC	Configure Printer2 device options: [Disabled] No configuration [3BC] Set the base I/O address for Printer2

## Security Menu

**Warning:** *If you forget user/supervisor password, the computer has to send back to manufacturer and replace EEPROM to make it work again.*

Phoenix TrustedCore (tm) Setup Utility					
Main	Advanced	Security	TPM State	Boot	Exit
<b>Processor Serial Number</b>				Item Specific Help	
Set Supervisor Password				[Disabled]	Controls detection of Processor Serial No. System must be reset or restarted from power-on for settings to take effect.
Set User Password				[Enter]	
Fixed disk boot sector:				[Normal]	
Diskette access:				[Supervisor]	
Password on boot:				[Disabled]	
USB Interface:				[Enabled]	
AC97 Audio Interface:				[Auto]	
AC97 Modem Interface:				[Auto]	
Cardbus/1394 Interface				[Auto]	
• RF Security Control:					
F1	Help	↑↓ Select Item	-/+ Change Values	F9	Setup Defaults
Esc	Exit	↔ Menu	Enter Select ► Sub-Menu	F10	Save and Exit

## Security Menu Selections

You can make the following selections on the Security Menu.

Feature	Options	Description
Processor Serial Number	Disabled Enabled	Controls detection of Processor Serial No. System must be reset or restarted from power-on for settings to take effect.
Set Supervisor password	Enter New Password Confirm New Password	Supervisor Password controls access to the setup utility.
Set User Password	Enter New Password Confirm New Password	User Password controls access to the system at boot.
Fixed disk boot sector	Normal Write Protect	Write protects boot sector on the hard disk to protect against viruses.

<b>Feature</b>	<b>Options</b>	<b>Description</b>
Diskette access	Supervisor	Control access to diskette drives
Password on boot	Disabled Enabled	Enables password entry on boot
USB Interface	Disabled Enabled	Control the listed USB Functions by setting the item to the desired value.
AC97 Audio Interface	Disabled Auto	Control Detection of the AC97 Audio Device. Auto = AC97 Audio will be enabled if present, disabled otherwise. Disabled = AC97 Audio will be unconditionally disabled, regardless of presence.
AC97 Modem Interface	Disabled Auto	Control Detection of the AC97 Modem Device. Auto = AC97 Modem will be enabled if present, disabled otherwise. Disabled = AC97 Modem will be unconditionally disabled, regardless of presence.
Cardbus/1394 Interface	Disabled Auto	Cardbus Device Function Disable/Enable
RF Security Control		RF Security Control: Wireless LAN GPRS GPS Blue Tooth

For most frequently altered setup “RF Security Control” please refer following:

**RF Security Control Sub-Menu**

Phoenix TrustedCore (tm) Setup Utility			
Security			
RF Security Control:		Item Specific Help	
<b>Wireless Lan:</b>	[Disabled]	Wireless Lan Control	
GPRS:	[Disabled]		
GPS:	[Disabled]		
Blue Tooth:	[Disabled]		
F1 Help	↑↓ Select Item	-/+ Change Values	F9 Setup Defaults
Esc Exit	↔ Menu	Enter Select ► Sub-Menu	F10 Save and Exit

**RF Security Control Sub-Menu Selections**

You can make the following selections on the RF Security Control sub-menu.

Feature	Options	Description
Wireless Lan	Disabled	Wireless Lan Control
	Enabled	Enabled Wireless function
GPRS	Disabled	GPRS Control
	Enabled	Enabled GPRS function
GPS	Disabled	GPS Control
	Enabled	Enabled GPS function
Blue Tooth	Disabled	Blue Tooth Control
	Enabled	Enabled Blue Tooth function

**TPM State Menu**

Phoenix TrustedCore (tm) Setup Utility					
Main	Advanced	Security	TPM State	Boot	Exit
Current TPM State:			Enabled and Deactivated		Item Specific Help
Change TPM State:			[No Change]		Change TPM State
F1	Help	↑↓ Select Item	-/+	Change Values	F9 Setup Defaults
Esc	Exit	↔ Menu	Enter Select	▶ Sub-Menu	F10 Save and Exit

**TPM State Menu Selections**

You can make the following selections on the TPM State Menu.

Feature	Options	Description
Change TPM State	No Change Enable & Activate Deactivate & Disable Clear	Change TPM State

**Boot Menu**

Phoenix TrustedCore (tm) Setup Utility					
Main	Advanced	Security	TPM State	Boot	Exit
Boot priority order: <b>1: USB KEY:</b> 2: USB FDC: 3: IDE CD: 4: IDE HDD: 5: Legacy network Card 6: Legacy Floppy Drives 7: PCI SCSI: 8: Excluded from boot order: : USB FDC: : USB CDROM: : USB ZIP: : USB LS120: : PCI BEV: : Other USB: : PCI: : Legacy : 1394 CDROM				Item Specific Help  Keys used to view or configure devices: Up and Down arrows select a device. <+> and <-> moves the device up or down. <f> and <r> specifies the device fixed or removable. <x> excludes or includes the device to boot. <Shift + 1> enables or disables a device. <1 - 4> Loads default boot sequence.	
F1	Help	↑↓ Select Item	-/+ Change Values	F9	Setup Defaults
Esc	Exit	↔ Menu	Enter Select ► Sub-Menu	F10	Save and Exit

The system will try to boot from device on top then the 2<sup>nd</sup> and so on. If there is more than one device in each category, only the device on top of sub-menu can boot up.



**Exit Menu**

Phoenix TrustedCore (tm) Setup Utility					
Main	Advance	Security	TPM State	Boot	Exit
<b>Exit Saving Changes</b> Exit Discarding Changes Load Setup Defaults Discard Changes Save Changes				Item Specific Help	
				Exit System Setup and save your changes to CMOS.	
F1	Help	↑↓	Select Item	-/+	Change Values
Esc	Exit	↔	Menu	Enter	Select ► Sub-Menu
				F9	Setup Defaults
				F10	Save and Exit

**Exit Menu Selections**

You can make the following selections on the Exit Menu.

Feature	Options	Description
Exit Saving Changes		Exit System Setup and save your changes to CMOS.
Exit Discarding Changes		Exit utility without saving Setup data to CMOS.
Load Setup Defaults		Load default values for all SETUP items.
Discard Changes		Load previous values from CMOS for all SETUP items.
Save Changes		Save Setup Data to CMOS

## UTILITIES AND DRIVERS

**Note:** Most device drivers are available in Windows. Only when the default driver does not work properly you need to install the factory bundled drivers.

The utility CD includes most drivers of the computer's installed devices. Consult dealer if any driver is missing.

Re-install drivers or perform "Driver Update" to replace the Windows default drivers.

Check readme.txt file on utility CD to get the newest information before starting to install drivers.

### Chipset

#### Windows Driver Installation:

Insert the Driver CD into the DVD-ROM. Click **infinst\_autol.exe** in the directory of RT8EX\Driver\Chipset\2kXpVista3264 then follow the prompt to complete installation.

### VGA Utility

#### Display Capability

Resolution & Color	LCD	RGB	LCD + RGB
640x 480x 16-bit color	O	O	O
640x 480x 24-bit color	O	O	O
640x 480x 32-bit color	O	O	O
800x 600x 64K color	O	O	O
800x 600x 24-bit color	O	O	O
800x 600x 32-bit color	O	O	O
1024x 768x 16-bit color	O	O	O
1024x 768x 24-bit color	O	O	O
1280x 1024x 16-bit color	X	O	X
1280x 1024x 24-bit color	X	O	X
1280x 1024x 32-bit color	X	O	X

<b>Resolution &amp; Color</b>	<b>LCD</b>	<b>RGB</b>	<b>LCD + RGB</b>
1600x 1200x 16-bit color	X	O	X
1600x 1200x 24-bit color	X	O	X
1600x 1200x 32-bit color	X	O	X
2048x 1536x 16-bit color	X	O	X
2048x 1536x 24-bit color	X	O	X
2048x 1536x 32-bit color	X	O	X

The table lists typical display modes only. The system also supports standard video modes with lower resolution and color.

### **Windows Driver Installation:**

Insert the Driver CD into the DVD-ROM. Click **win2k\_xp1429.exe** in the directory of RT8EX\Driver\VGA\Intel\_945GM\2kXp32 then follow prompt to complete driver installation. Windows may recommend using their driver, but you should confirm to change the factory bundled driver.

After restart and back to **Settings** window, choose proper **Colors** and **Screen Area**.

### **Audio Driver**

#### **Windows**

Insert the Driver CD into the DVD-ROM. Click **WDM\_A400.exe** in the directory of RT8EX\Driver\Audio\2kXp\_3264 then follow the prompt to complete installation.

### **USB 2.0**

Windows does not need driver.

### **Touch Screen Driver**

Enter BIOS Setup screen and set COM1 port as "TTL1". (COM1 has multiple connectivity, so it's necessary to setup. The optional COM4 may be configured as touch screen and doesn't need to configure the BIOS.) Afterwards, please cancel the prompt of installation wizard

to setup the driver from the CD (\RT8EX\Driver\Touchscreen\DP9000\2kxpVista3264\PM.Universal...v1.0.0.8), and follow the prompt to complete installation and then restart.

### **DVD-ROM Driver**

In Windows, you don't need to install drivers, because it is included in the drivers list.

Only non-Windows OS need the driver

### **PCMCIA Driver**

#### **Windows**

The driver is automatically installed under Windows.

### **Mini PCI 1G AX92200 LAN**

Insert the Driver CD into the DVD-ROM. Click **Setup.exe** in the directory of E:\AX92200\DRIVER\RTL8110S\windows (612) then follow the prompt to complete installation.

### **Mini PCI INT8100 LAN**

Windows does not need driver.

### **Mini PCI-E 1G RTL8111B LAN**

Insert the Driver CD into the DVD-ROM. Click **setup.exe** in the directory of RT8EX\Driver\PCIE\_1G\_Lan\2kXp3264\RTL8168\_8101E\_664 then follow the prompt to complete installation.

### **Mini PCI-E Intel 3945ABG WLAN**

**\*: For the driver and software to function correctly on Windows 2000, the recommendation is to install Service Pack 4 or later. Ensure that MSI support level 3.1 or**

**above is installed. Use the Windows Installer 3.1 v2 or greater.**

Insert the Driver CD into the DVD-ROM. Click **v11.1.0.5\_xp32.exe** in the directory of RT8EX\Driver\PCIE\_Intel WLAN\2kXp32 then follow the prompt to complete installation.

### **Fax/Modem Card Driver**

Insert the Driver CD into the DVD-ROM. Click **setup.exe** in the directory of RT8EX\Driver\MDC\mdc\_w2kxp then follow the prompt to complete installation.

### **Bluetooth Driver**

Insert the Driver CD into the DVD-ROM. Click **setup.exe** in the directory of RT8EX\Driver\BLU-BC4\2kxp\BlueSoleil\_(Standard) then follow the prompt to complete installation.

In “Wireless Manager”, turn on the Bluetooth device.

### **GPRS/GSM (Siemens MC75) Driver**

In “Wireless Manager”, turn on the GSM Phone device.

The screen will display “Found New Hardware Wizard” message. Then select “Install from a list... (Advanced)”, then select “Include this location in the search: RT8EX\Driver\GPRS\_GSM Siemens MC75\USB driver xp2k (MC75)\mc75\_08010.usf then follow the prompt to complete installation.

### **Wireless Manager**

For flight safety and power saving reason, there is a utility to enable/disable RF devices Wireless LAN/GPRS/GPS/Bluetooth.

Insert the Driver CD into the DVD-ROM. Click **setup.exe** in the directory of Utilities\Wireless Manager then follow the prompt to complete installation.

## MAINTENANCE/SERVICE

### Cleaning

ALWAYS turn OFF the power, unplug the power cord and remove the battery before cleaning.

The exterior of the system and display may be wiped with a clean, soft, and lint-free cloth. If there is difficulty removing dirt, apply non-ammonia, non-alcohol based glass cleaner to the cloth and wipe.

An air gun is recommended for cleaning water and dust. For salty water please clean with fresh water then blow-dry with an air gun. Be sure not to turn the computer up side down while there is water being applied.

### Troubleshooting

Should the computer fail to function properly, the troubleshooting steps below may be followed.

- Check AC/vehicle adapter, battery, and the power source.
- Minimize the configuration, i.e. remove extra peripherals and devices.
- Remove the modules one by one (HDD, DVD-ROM, Battery, etc.).
- Remove the software suspected.
- Set BIOS fail-safe default.
- Re-install operating system and application software.

### RMA Service

If troubleshooting steps are unsuccessful, consult your dealer for RMA.

Shipping instructions:

1. Remove any personal diskettes, CD's, or other media.
2. Use the original shipping container and packing materials, if possible.

3. If the original packing materials are not available, wrap the equipment with soft material (e.g. PU/PE form) then put the wrapped equipment into a hard cardboard shipping box.
4. Include a sheet with the following information: (Note: Please keep a copy of this sheet for your records)
  - Name
  - Address
  - Unit serial number
  - Place and date of purchase or the original invoice number
  - Date of failure
  - A DETAILED Description of the problems you have encountered
  - A list of the hardware/software configuration, if applicable.
5. Clearly mark the outside of the shipping box with the RMA #. If an RMA # is not present on the shipping box, receiving will be unable to identify it and it might be returned.
6. Unless prior arrangements have been made, the customer is responsible for all shipping costs. Unauthorized use of the company's shipping accounts is not permitted.

Recycled/Recycleable  
Printed in Taiwan  
P/N: G63080000A